


# **DOCK SOLUTIONS LTD**

**UK MANUFACTURED LOADING BAY EQUIPMENT  
AND INDUSTRIAL DOORS**

## **PRODUCT CATALOGUE**



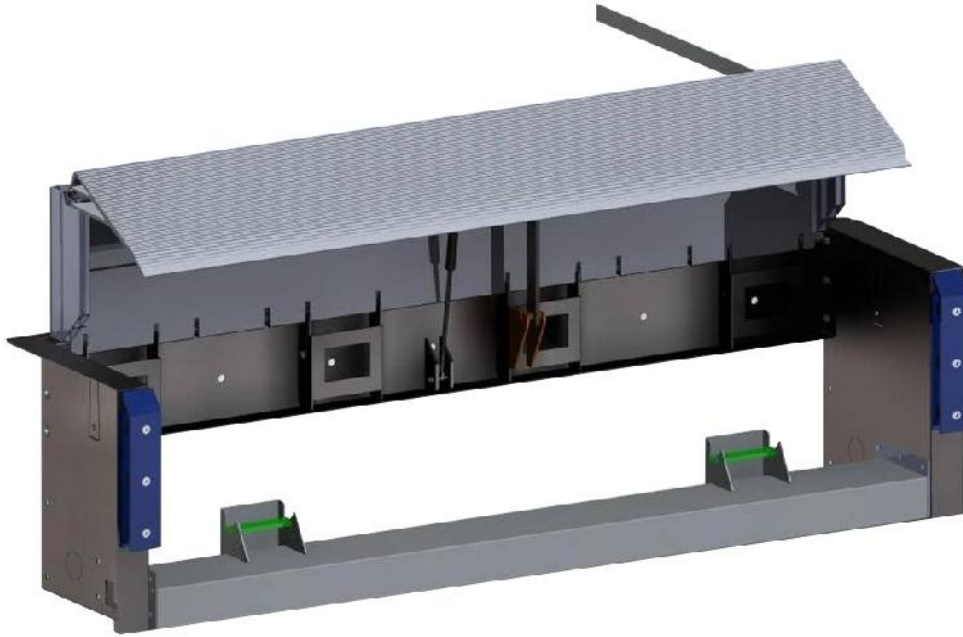
Dock Levellers - Scissor Lifts - Industrial Doors - Shelters & Seals  
Wheel Guides - Service & Repairs - Load Houses - Fast Action Doors  
Control Systems - Bridge Plates - Spares - Traffic Lights - Bumpers

 01594 825200

 [sales@docksolutions.co.uk](mailto:sales@docksolutions.co.uk)

 [www.docksolutions.co.uk](http://www.docksolutions.co.uk)

# ALUMINIUM MANUAL RAMP



## BRIDGEPLATE

A manual bridge plate without gas spring assistance.

Rotation on hinge joint with weldable back-plate to be fixed at bay border.

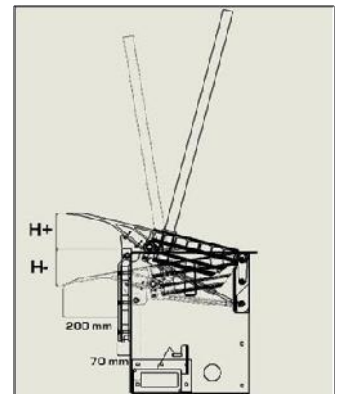
Positioning through flexible rope.

**Lip:** Aluminium plate, Hinged lip in one piece 370 mm long with extruded joint between lip and plate

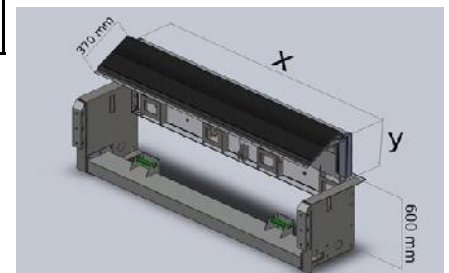
**Capacity:** 6,000Kg

**Install:** Simple to install – Does not require electric to operate

**Optional:** L shape aluminium plate for installation without welding, only through screws

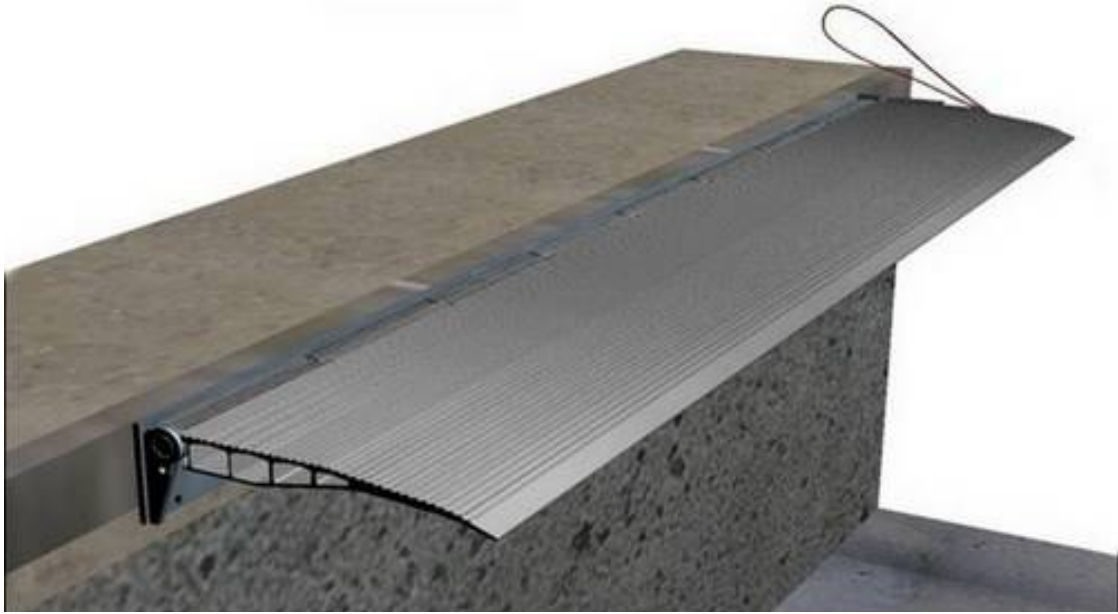


CODE	X	Y	WEIGHT	H+ / H-
DSMR480B-MAN	2000	480+LIP	170	110/110
DSMR680B-MAN	2000	680+LIP	220	140/140
DSMR1080B-MAN*	2000	1080+LIP	270	190/190



\* MR1080B-MAN model has a SEMI-AUTOMATIC mechanism of work: plate is lifted through rigid side handle whilst lip is lifted manually. Instead, MR480 and MR680 models are fully automatic and can be positioned only through the rigid side-handle.

# BRIDGE PLATE



## DSCR

A manual bridge plate without gas spring assistance.  
 Rotation on hinge joint with weldable back-plate to be fixed at bay border.  
 Positioning through flexible rope.

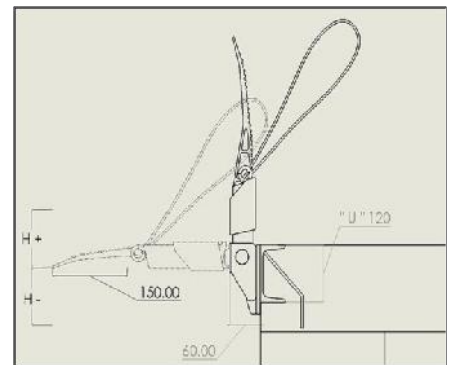
**Lip:** Aluminium 6060 alloy extruded plate

**Capacity:** 4,000Kg

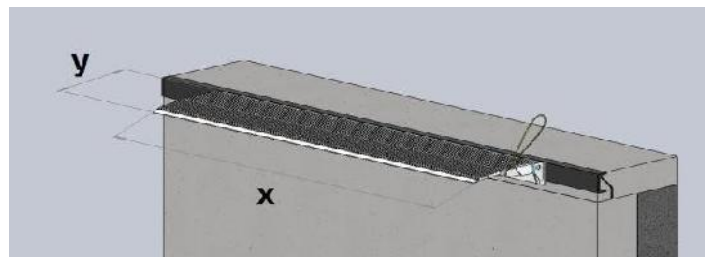
**Finish:** anti-slip cross-ribbing surface treatment

**Install:** Simple to install – Does not require electric to operate

**Optional:** L shape aluminium plate for installation without welding, only through screws



CODE	X	Y	WEIGHT	H+ / H-
	(mm)	(mm)	(Kg)	
DSCR40	1100	400	15	50/50
DSCR60	1100	600	22	75/75
DSCR80	1100	800	30	100/100
DSCR40A	1650	400	20	50/50
DSCR60A	1650	600	25	75/75
DSCR80A	1650	800	35	100/100
DSCR40B	2000	400	25	50/50
DSCR60B	2000	600	30	75/75



# MANUAL GAS ASSISTED BRIDGE PLATE



DSGAS

A Aluminium manually sliding Bridge Plate with rigid steel handle.

A Gas spring provides 90% weight assistance as the plate is longer than other products.

Rapid sliding through ball bearings for easy moving.

**Lip:** Aluminium 6060 alloy extruded plate

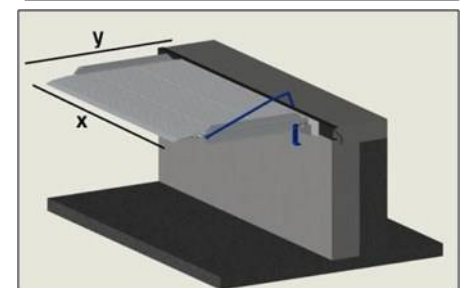
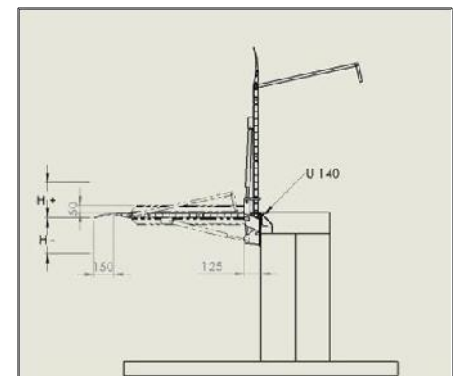
**Capacity:** 5,000Kg (4,000kgs for DSCR-GAS80B)

**Finish:** anti-slip cross-ribbing surface treatment

**Install:** Simple to install – Does not require electric to operate

**Optional:** L shape aluminium plate for installation without welding, only through screws

Side anti-falling handrails /holders welded on side borders.



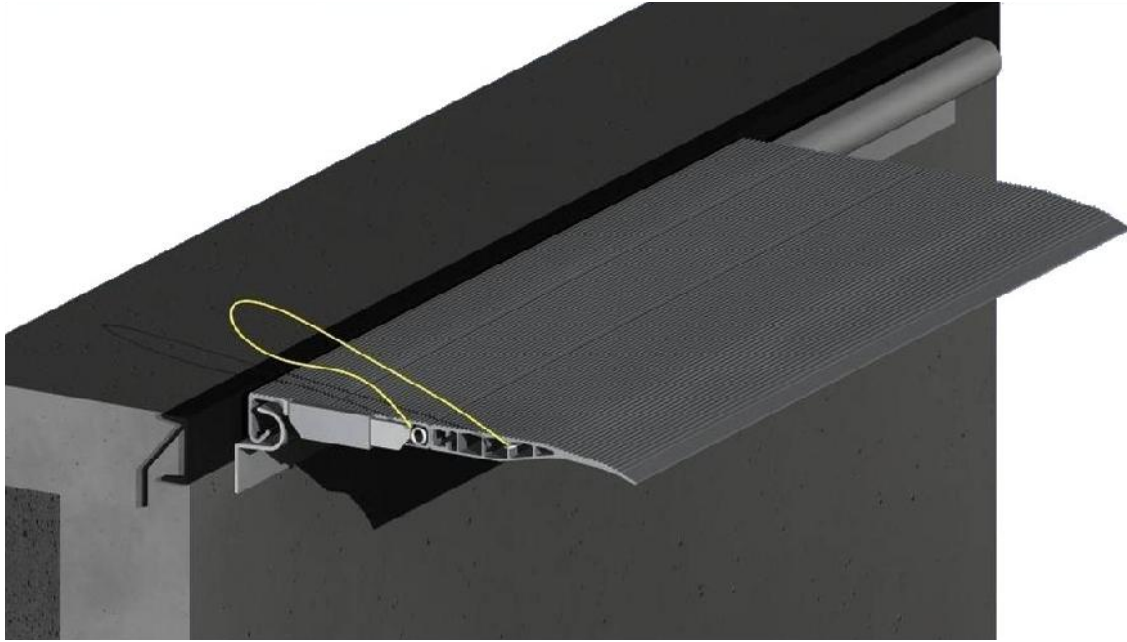
CODE	X	Y	WEIGHT	H+ / H-
	(mm)	(mm)	(Kg)	
DSCR-GAS80B	2000	800	60	100/100
DSCR-GAS120A	1650	1200	70	150/150
DSCR-GAS160A	1650	1600	90	200/200
DSCR-GAS200A	1650	2000	110	250/250
DSCR-GAS120B	2000	1200	90	150/150
DSCR-GAS160B	2000	1600	105	200/200
DSCR-GAS200B	2000	2000	125	250/250

01594 825200

[sales@docksolutions.co.uk](mailto:sales@docksolutions.co.uk)

[www.docksolutions.co.uk](http://www.docksolutions.co.uk)

# MANUAL SLIDING BRIDGE PLATE



## DSTR

A manual sliding bridge plate without gas spring assistance.

Mechanical anchorage system to bay border through fitting in a sliding rail

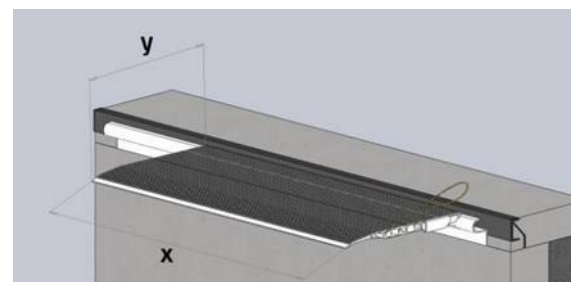
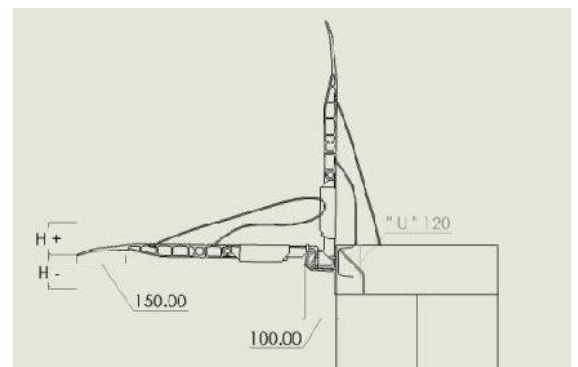
**Lip:** Aluminium 6060 alloy extruded plate

**Capacity:** 2,000Kg –4,000Kg

**Finish:** anti-slip cross-ribbing surface treatment

**Install:** Simple to install – Does not require electric to operate

CODE	X mm	Y mm	WEIGHT kg	H+ / H- mm
<b>4,000 Kg</b>				
DSTR40	1100*	400	25	50/50
DSTR65	1100*	650	32	80/80
DSTR90	1100*	900	40	100/100
DSTR40A	1650	400	35	50/50
DSTR65A	1650	650	42	80/80
DSTR90A	1650	900	50	100/100
<b>6,000 Kg</b>				
DSTRR55	1100*	550	20	70/70
DSTRR75	1100*	750	26	100/100
DSTRR95	1100*	950	32	125/125
DSTRR55A	1650	550	30	70/70
DSTRR75A	1650	750	34	100/100
DSTRR95A	1650	950	38	125/125
DSTRR55B	2000	550	36	70/70
DSTRR75B	2000	750	45	100/100



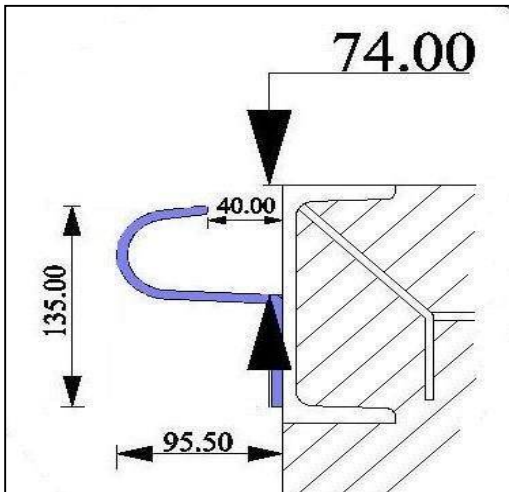
# MANUAL SLIDING BRIDGE PLATE INSTALLATION

## SLIDING BRIDGE PLATE INSTALLATION

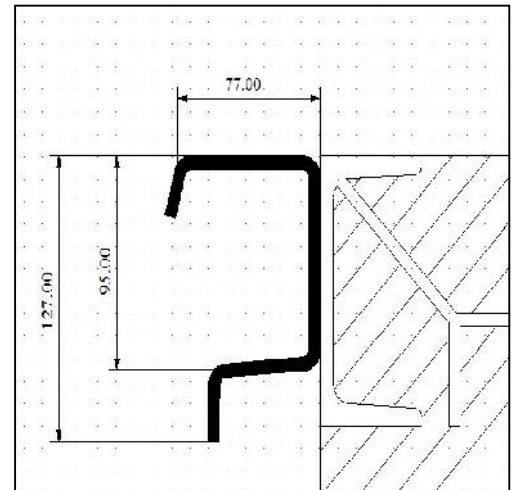
Sliding ramps have a really easy and rapid installation procedure. They are delivered with lateral sliding rails, available in 2 main versions:

- traditional iron rail to be welded at a precast 120mm clamped angle bar,
  - Innovative aluminium rail, perfect for loading bays without precast attachments, as it has a L shape back-profile to be easily fixed with screws (supplied by us) directly to the concrete.
- Iron rails are available in 3000mm bars whilst aluminium ones can be supplied in 2400mm and 3000mm bars

TR.GF3000

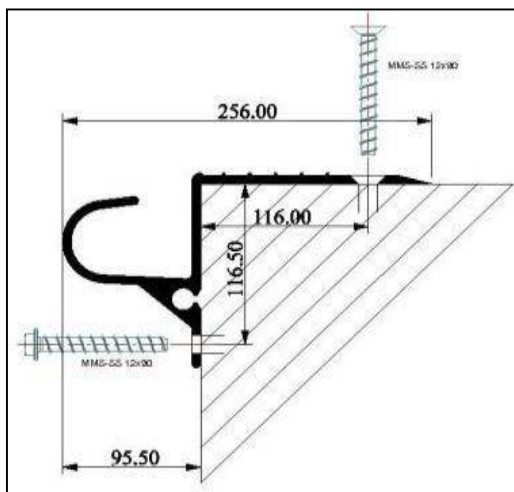


GAS.GF3000

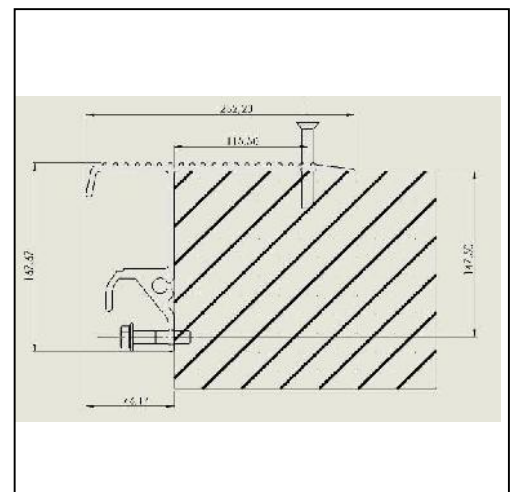


IRON  
GUIDE  
RAILS

TR.GA2400  
TR.GA3000

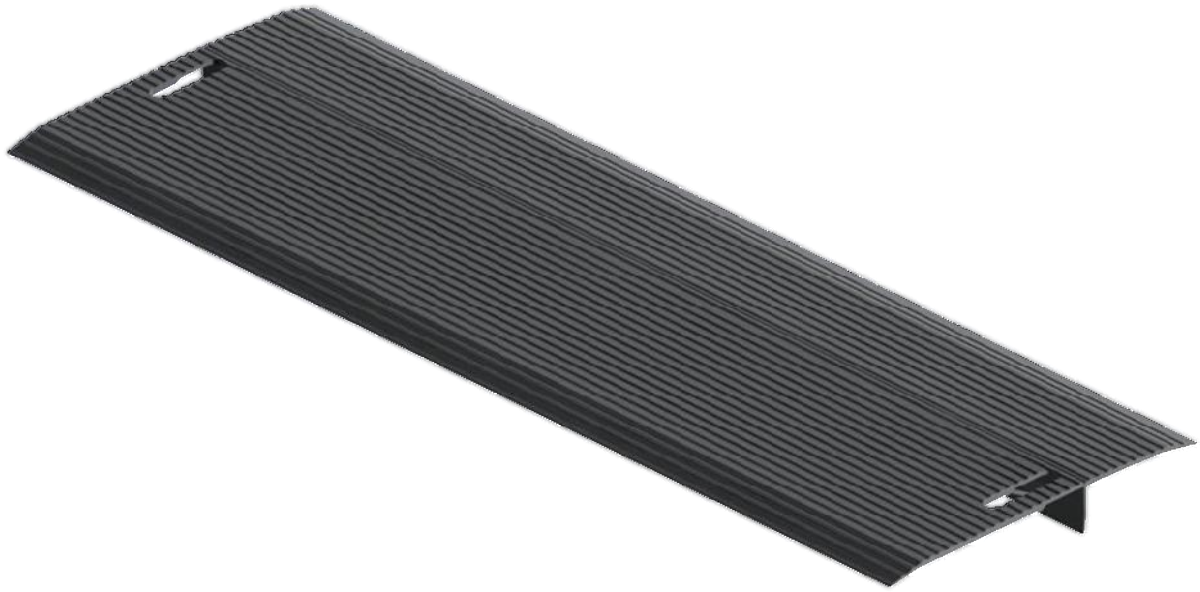


GAS.GA2400  
GAS.GA3000



ALUMINUM  
GUIDE  
RAILS

# MOBILE BRIDGE PLATE



## DCP

A Aluminium extruded mobile ramp, with double lip smooth connection.

Lightweight and easy positioning through 2 lateral handles.

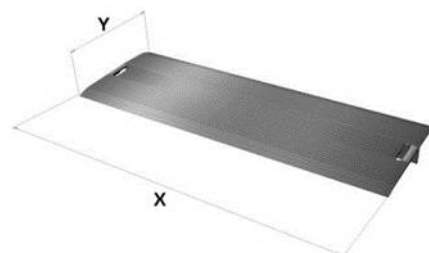
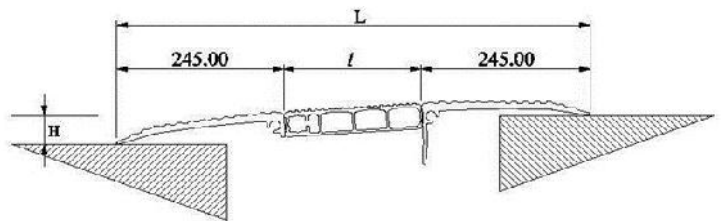
**Lip:** Aluminium 6060 alloy extruded plate

**Capacity:** 6,000Kg

**Finish:** anti-slip cross-ribbing surface treatment

**Install:** Simple to install – Does not require electric to operate

CODE	X (mm)	Y (mm)	H+/- (mm)	WEIGHT (Kg)
DCP 50	1100	490	70/70	19
DCP 70	1100	690	90/90	26
DCP 90	1100	890	110/110	33
DCP 130	1100	1290	165/165	47
DCP 50A	1650	490	70/70	28
DCP 70A	1650	690	90/90	38
DCP 90A	1650	890	110/110	49
DCP 130A	1650	1290	165/165	70
DCP 50B	2000	490	70/70	34
DCP 70B	2000	690	90/90	47
DCP 90B	2000	890	110/110	59
DCP 130B	2000	1290	165/165	84



# **DOCK SOLUTIONS LTD**

**UK MANUFACTURED LOAD BAY EQUIPMENT  
AND INDUSTRIAL DOORS**

We stock a wide range of loading bay equipment products at the best prices.

Call us now for the best prices on all Loading Bay Products.

Call one of our friendly sales team  
Now on 01594 825200



**Dock Solutions Ltd Headquarters**

Unit 5  
Seymour Business Park  
Whimsey Industrial Estate  
Cinderford  
Gloucestershire  
GL14 3JA



[sales@docksolutions.co.uk](mailto:sales@docksolutions.co.uk)



[info@docksolutions.co.uk](mailto:info@docksolutions.co.uk)



01594 825200

**"GET EXACTLY WHAT YOU WANT"**

Dock Levellers - Scissor Lifts - Industrial Doors - Shelters & Seals  
Wheel Guides - Service & Repairs - Load Houses - Fast Action Doors  
Control Systems - Bridge Plates - Spares - Traffic Lights - Bumpers

 01594 825200



[sales@docksolutions.co.uk](mailto:sales@docksolutions.co.uk)



[www.docksolutions.co.uk](http://www.docksolutions.co.uk)